

# DIE ALTERNATIVE

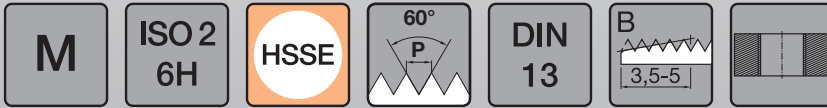
THE ALTERNATIVE  
L'ALTERNATIVE  
L'ALTERNATIVA

**SELECT/TAP**  
by WEXO®

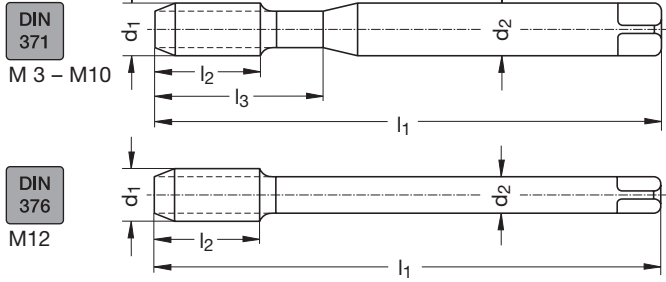


**PROMO SET 10**

gültig bis / valid to /  
valable au / valido al 30.11.2026



M

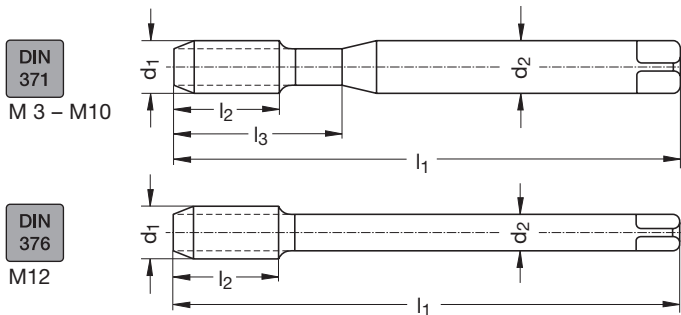


Typ N  
Typ VA

HSSE

| Katalog-Nr.<br>Catalogue n° | Catalogue no.<br>Nr. di catalogo | NB00VP                 |                        | VAB00VP                |                        |           |   |           |             |                   |               |             |                   |               |
|-----------------------------|----------------------------------|------------------------|------------------------|------------------------|------------------------|-----------|---|-----------|-------------|-------------------|---------------|-------------|-------------------|---------------|
|                             |                                  | VP                     | VP                     | VP                     | VP                     |           |   |           |             |                   |               |             |                   |               |
| d <sub>1</sub><br>[mm]      | P<br>[mm]                        | l <sub>1</sub><br>[mm] | l <sub>2</sub><br>[mm] | l <sub>3</sub><br>[mm] | d <sub>2</sub><br>[mm] | □<br>[mm] | z | Ø<br>[mm] | Code        | €Set*             | €Set*         | Code        | €Set*             | €Set*         |
| M 3                         | 0,5                              | 56                     | 9                      | 18                     | 3,5                    | 2,7       | 3 | 2,5       | GAV 601 000 | <del>103,00</del> | <b>61,80</b>  | GAV 601 020 | <del>116,00</del> | <b>69,60</b>  |
| M 4                         | 0,7                              | 63                     | 12                     | 21                     | 4,5                    | 3,4       | 3 | 3,3       | GAV 601 002 | <del>103,00</del> | <b>61,80</b>  | GAV 601 022 | <del>116,00</del> | <b>69,60</b>  |
| M 5                         | 0,8                              | 70                     | 13                     | 25                     | 6                      | 4,9       | 3 | 4,2       | GAV 601 003 | <del>108,50</del> | <b>65,10</b>  | GAV 601 023 | <del>116,00</del> | <b>69,60</b>  |
| M 6                         | 1                                | 80                     | 15                     | 30                     | 6                      | 4,9       | 3 | 5         | GAV 601 004 | <del>108,50</del> | <b>65,10</b>  | GAV 601 024 | <del>116,00</del> | <b>69,60</b>  |
| M 8                         | 1,25                             | 90                     | 18                     | 35                     | 8                      | 6,2       | 3 | 6,8       | GAV 601 006 | <del>142,00</del> | <b>85,20</b>  | GAV 601 026 | <del>157,50</del> | <b>94,50</b>  |
| M 10                        | 1,5                              | 100                    | 20                     | 39                     | 10                     | 8         | 3 | 8,5       | GAV 601 008 | <del>167,50</del> | <b>100,50</b> | GAV 601 028 | <del>185,50</del> | <b>111,30</b> |
| M 12                        | 1,75                             | 110                    | 23                     | 0                      | 9                      | 7         | 3 | 10,2      | GAV 601 010 | <del>224,50</del> | <b>134,70</b> | GAV 601 030 | <del>245,00</del> | <b>147,00</b> |

SELECT/TAP  
by WIXO



Typ N  
AG Typ VA

| Katalog-Nr.<br>Catalogue n° | Catalogue no.<br>Nr. di catalogo | NC40VP                 |                        | VAC40VP                |                        |           |   |           |             |                   |               |             |                   |               |
|-----------------------------|----------------------------------|------------------------|------------------------|------------------------|------------------------|-----------|---|-----------|-------------|-------------------|---------------|-------------|-------------------|---------------|
|                             |                                  | VP                     | VP                     | VP                     | VP                     |           |   |           |             |                   |               |             |                   |               |
| d <sub>1</sub><br>[mm]      | P<br>[mm]                        | l <sub>1</sub><br>[mm] | l <sub>2</sub><br>[mm] | l <sub>3</sub><br>[mm] | d <sub>2</sub><br>[mm] | □<br>[mm] | z | Ø<br>[mm] | Code        | €Set*             | €Set*         | Code        | €Set*             | €Set*         |
| M 3                         | 0,5                              | 56                     | 5                      | 18                     | 3,5                    | 2,7       | 3 | 2,5       | GAV 601 100 | <del>111,00</del> | <b>66,60</b>  | GAV 601 120 | <del>124,00</del> | <b>74,40</b>  |
| M 4                         | 0,7                              | 63                     | 7                      | 21                     | 4,5                    | 3,4       | 3 | 3,3       | GAV 601 102 | <del>111,00</del> | <b>66,60</b>  | GAV 601 122 | <del>124,00</del> | <b>74,40</b>  |
| M 5                         | 0,8                              | 70                     | 8                      | 25                     | 6                      | 4,9       | 3 | 4,2       | GAV 601 103 | <del>111,00</del> | <b>66,60</b>  | GAV 601 123 | <del>129,00</del> | <b>77,40</b>  |
| M 6                         | 1                                | 80                     | 10                     | 30                     | 6                      | 4,9       | 3 | 5         | GAV 601 104 | <del>111,00</del> | <b>66,60</b>  | GAV 601 124 | <del>129,00</del> | <b>77,40</b>  |
| M 8                         | 1,25                             | 90                     | 13                     | 35                     | 8                      | 6,2       | 3 | 6,8       | GAV 601 106 | <del>149,50</del> | <b>89,70</b>  | GAV 601 126 | <del>162,50</del> | <b>97,50</b>  |
| M 10                        | 1,5                              | 100                    | 15                     | 39                     | 10                     | 8         | 3 | 8,5       | GAV 601 108 | <del>178,00</del> | <b>106,80</b> | GAV 601 128 | <del>188,00</del> | <b>112,80</b> |
| M 12                        | 1,75                             | 110                    | 18                     | 0                      | 9                      | 7         | 3 | 10,2      | GAV 601 110 | <del>237,00</del> | <b>142,20</b> | GAV 601 130 | <del>250,00</del> | <b>150,00</b> |

\* 1 Set = 10 Stück; keine Einzelabgabe möglich  
 \* 1 set = 10 tools; no single delivery possible  
 \* 1 set = 10 outils; pas de livraison à l'unité possible  
 \* 1 set = 10 utensili; non è possibile ordinarli singolarmente

Alle Preise sind Netto-Endpreise und gelten bis 30. November 2026.  
 All prices are net final prices. They are valid to november 30, 2026.  
 Tous les prix sont des prix nets. Valable au 30 novembre 2026.  
 Tutti prezzi sono finali netti. Valido al 30 novembre 2026.

**PROMO SET 10**  
 gültig bis / valid to /  
 valable au / valido al 30.11.2026